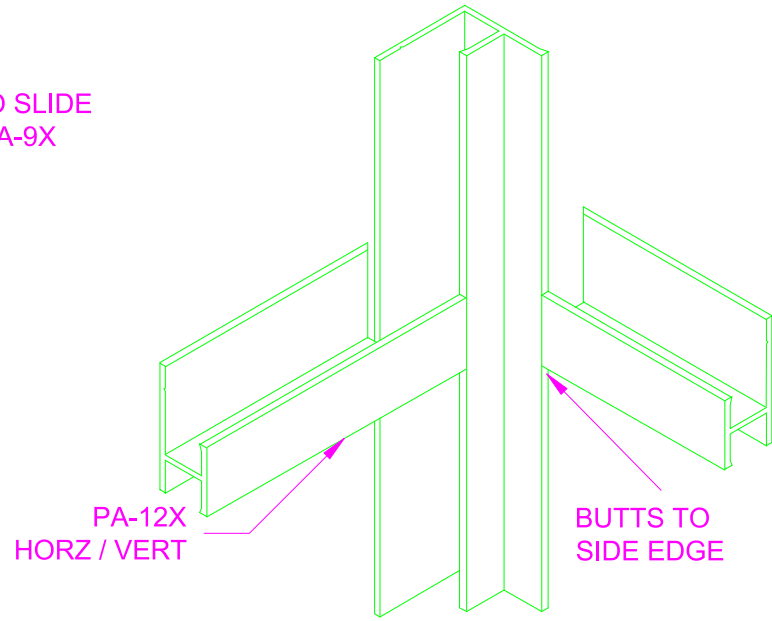
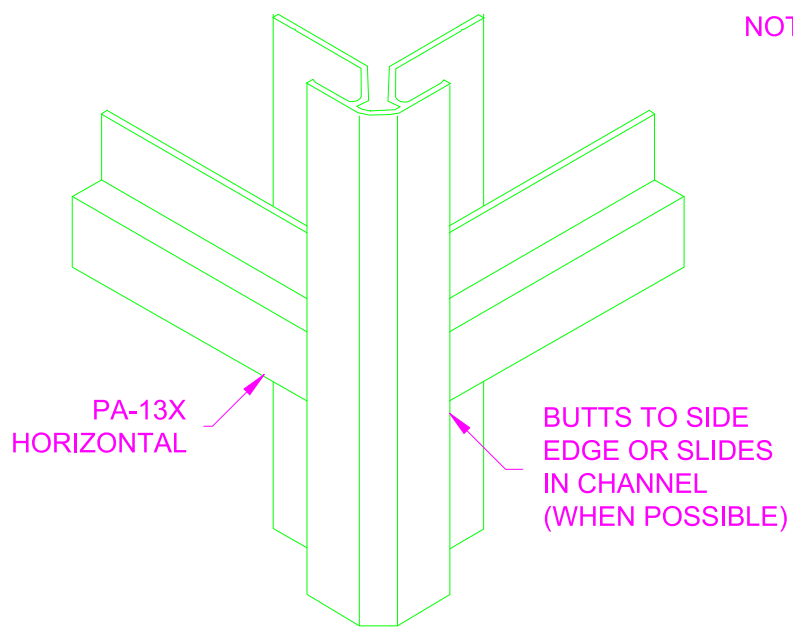


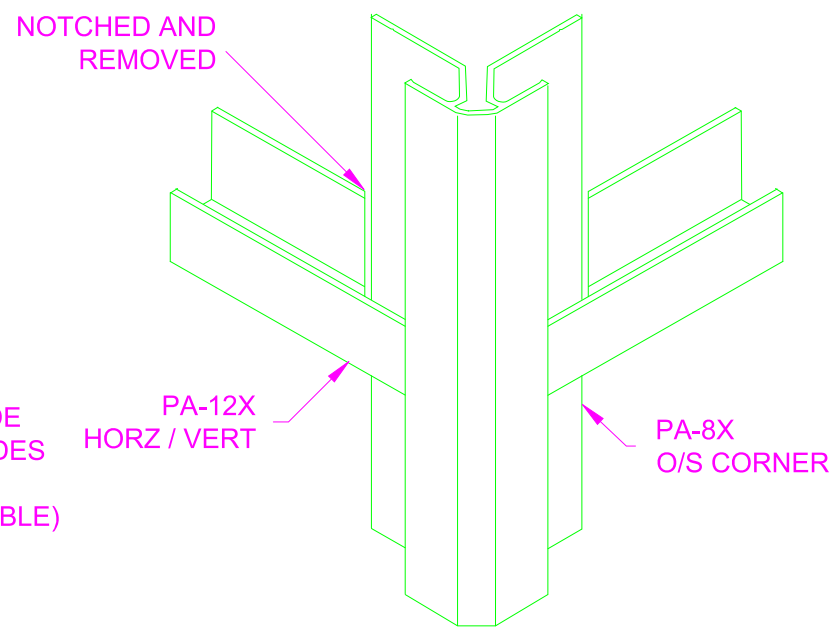
18A INSIDE CORNER, OPTION 1



18B INSIDE CORNER, OPTION 2



19A OUTSIDE CORNER, OPTION 1



19B OUTSIDE CORNER, OPTION 2