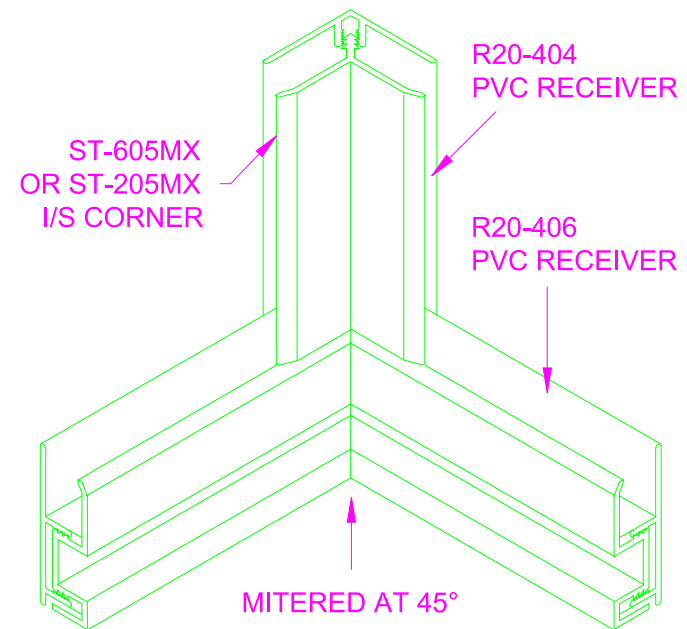
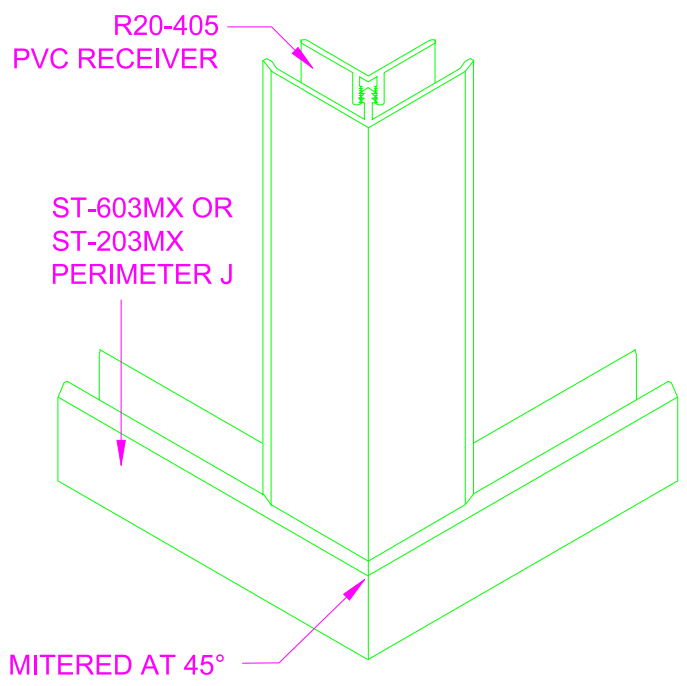


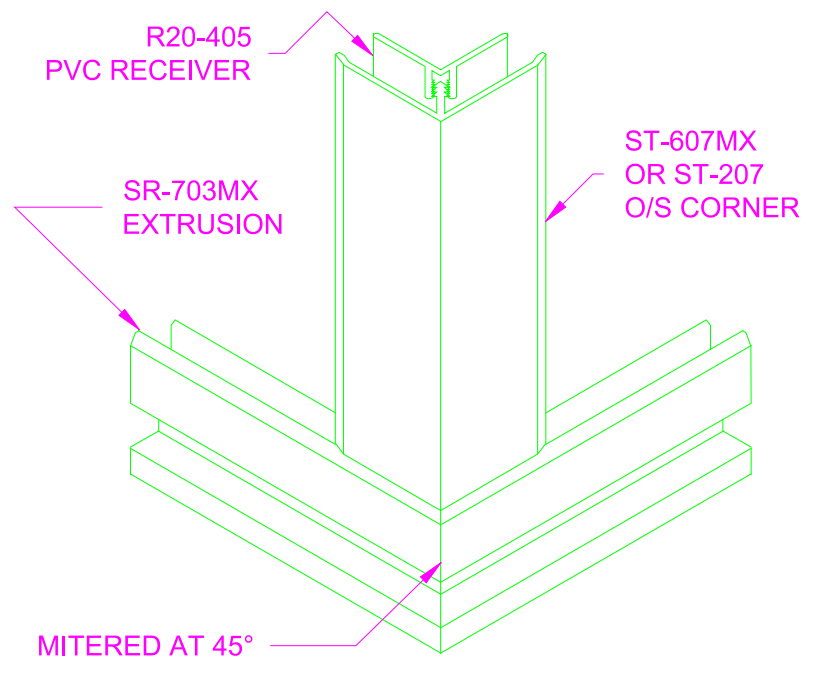
10A BASE INSIDE CORNER, OPTION 1



10B BASE INSIDE CORNER, OPTION 2



11A BASE OUTSIDE CORNER, OPTION 1



11B BASE OUTSIDE CORNER, OPTION 2