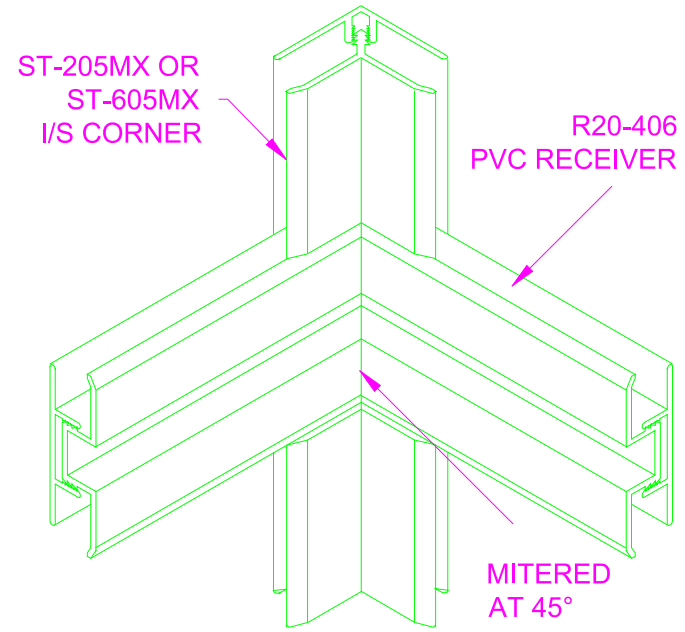
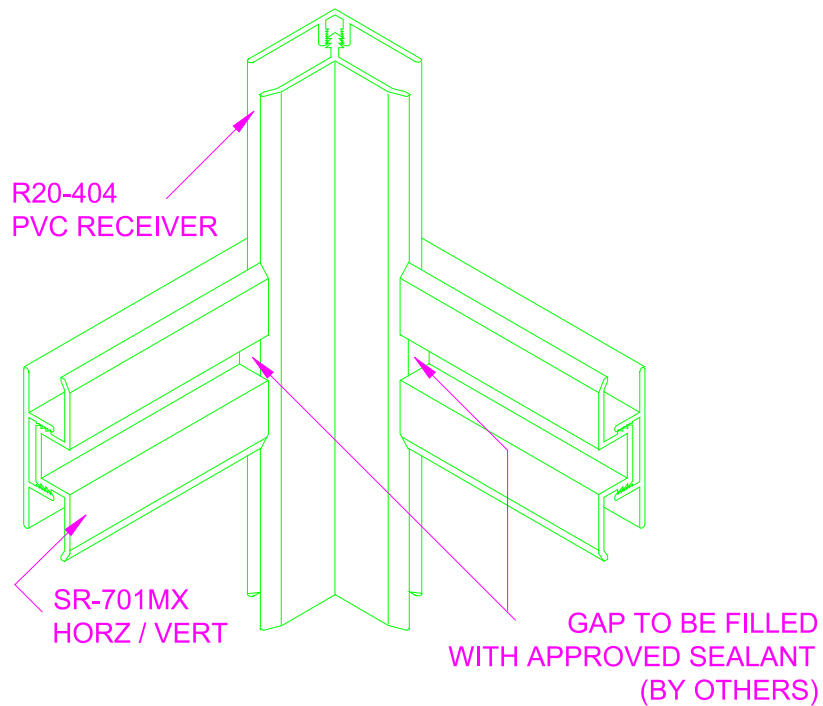


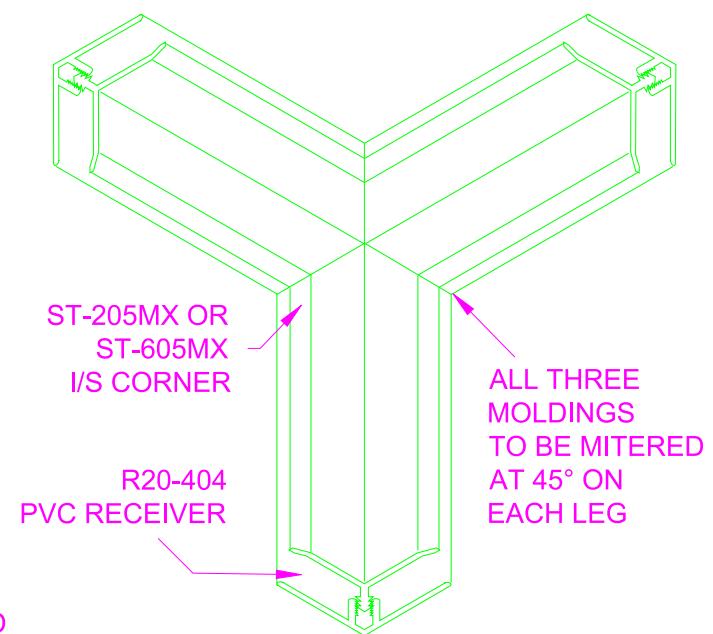
15A INSIDE CORNER, OPTION 1



15B INSIDE CORNER, OPTION 2



15C INSIDE CORNER, OPTION 3



16 THREE WAY INSIDE CORNER