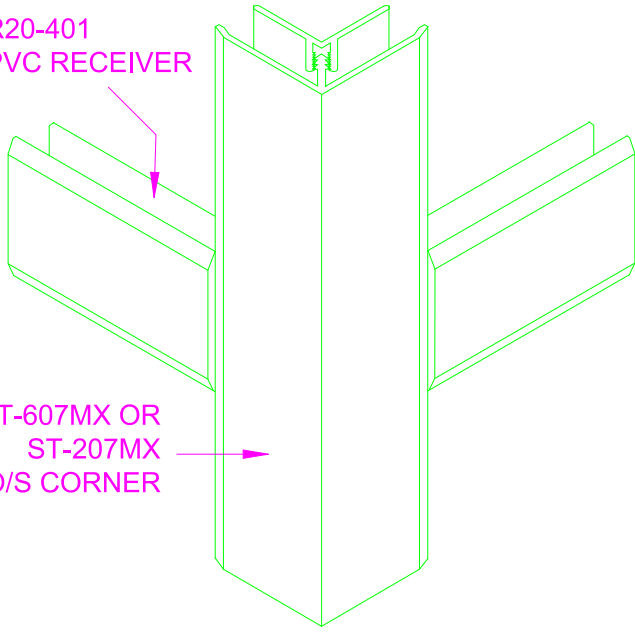
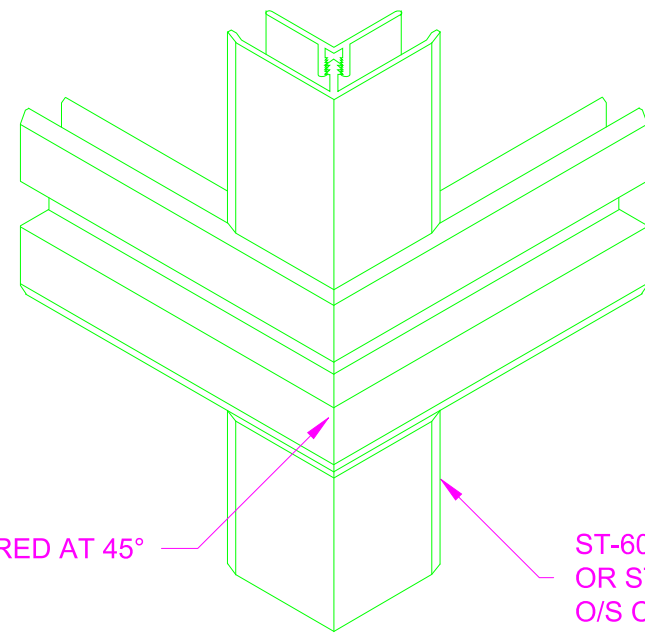


R20-401
PVC RECEIVER



ST-607MX OR
ST-207MX
O/S CORNER

17A OUTSIDE CORNER, OPTION 1

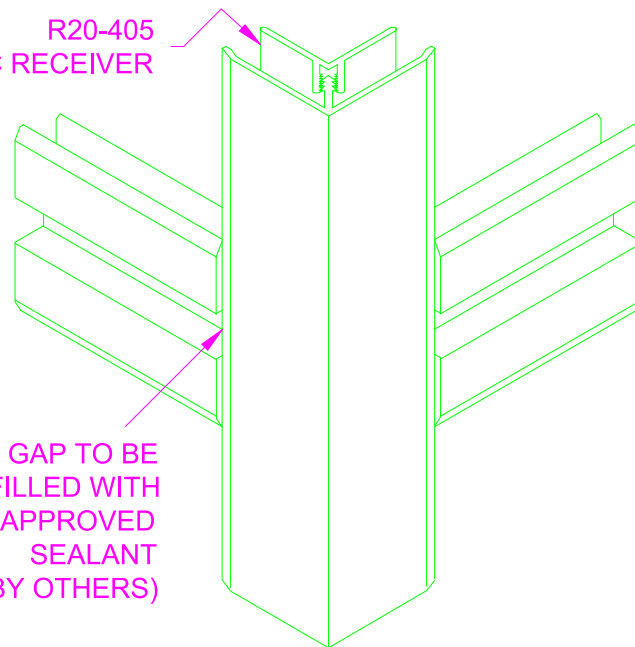


MITERED AT 45°

ST-607MX
OR ST-207MX
O/S CORNER

17B OUTSIDE CORNER, OPTION 2

R20-405
PVC RECEIVER



GAP TO BE
FILLED WITH
APPROVED
SEALANT
(BY OTHERS)

17C OUTSIDE CORNER, OPTION 3